

Supporting Information

Open Source Photoreactor

*Philip Lampkin, Blaise J. Thompson, and Samuel H. Gellman**

Department of Chemistry, University of Wisconsin–Madison
1101 University Ave., Madison, Wisconsin 53706

*Corresponding Author
email: gellman@chem.wisc.edu

Contents

- 1 Introduction** **S3**

- 2 Electronics** **S4**
 - 2.1 Analog S4
 - 2.2 Digital S6
 - 2.2.1 Driver S6
 - 2.2.2 Controller S8

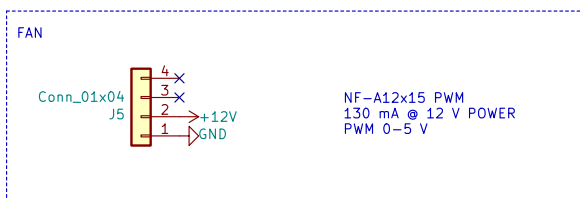
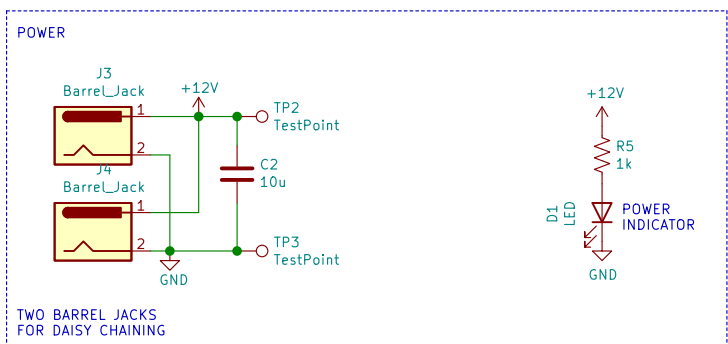
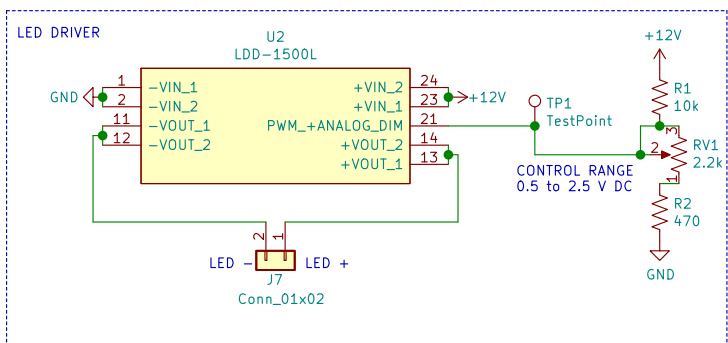
- 3 Mechanical Construction** **S9**
 - 3.1 Base S9
 - 3.1.1 LED and Heatsink S9
 - 3.1.2 Fan S9

- 4 Efficacy** **S10**

1 Introduction

2 Electronics

2.1 Analog



blaise.thompson@wisc.edu

Blaise Thompson

Gellman Group

Department of Chemistry

University of Wisconsin-Madison

Sheet: /

File: driver.sch

Title: Analog Photoreactor Driver

Size: USLetter | Date: 2021-01-29

KiCad E.D.A. kicad 5.1.8+dfsg1-1+b1

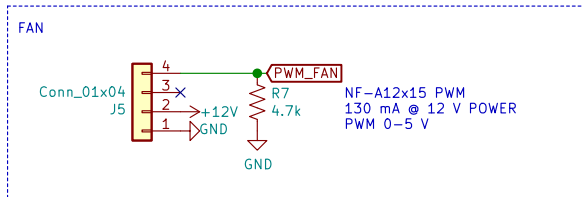
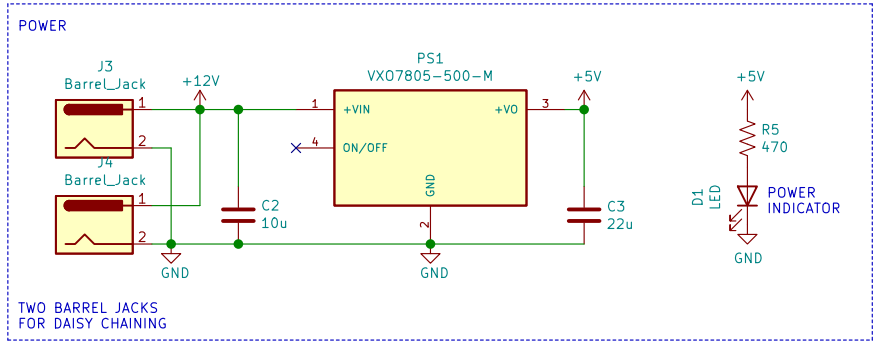
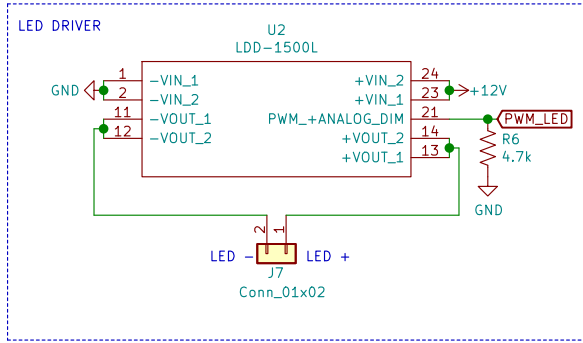
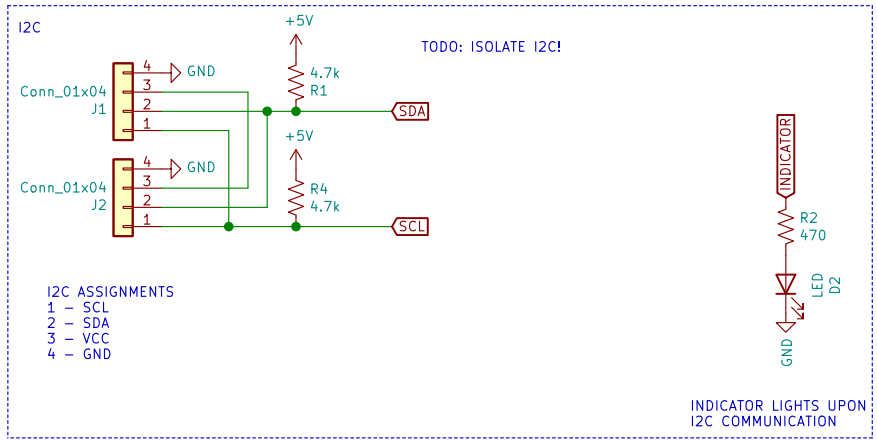
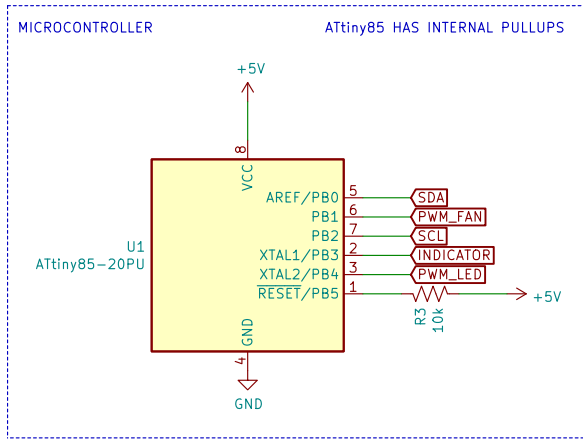
Rev: 1.0.0

Id: 1/1

2.2 Digital

TODO: document I2C connection choice. Consistent with Adafruit, Sparkfun, Seeed...

2.2.1 Driver



plampkin@wisc.edu
Philip Lampkin
Gellman Group
Department of Chemistry
University of Wisconsin-Madison
Sheet: /
File: driver.sch
Title: Digital Photoreactor Driver
Size: USLetter Date: 2021-01-22
KiCad E.D.A. kicad 5.1.9+dfsg1-1 **Rev: 1.0.0**
Id: 1/1

2.2.2 Controller

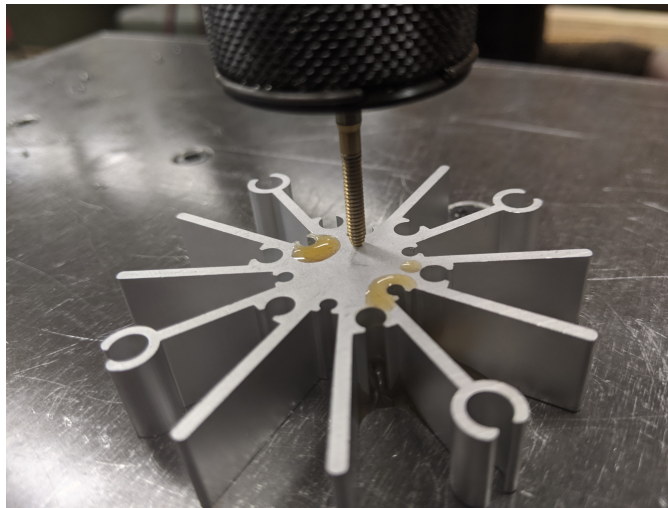


Figure S1: Two of the innermost holes on the extruded heatsink must be 4-40 tapped.

3 Mechanical Construction

0.5" standoff: RAF 4505-440-AL

3.1 Base

3.1.1 LED and Heatsink

TODO: LED PCB part number

TODO: heatsink part number

Tap the heatsink. We used thread-forming tap: OSG 1400105300.

TODO: heatsink compound

Install with wires facing towards printed hole

Use 4-40 1/4".

3.1.2 Fan

TODO: fan part number

Noctua NF-A12x15 PWM

pins: blue: PWM (5 V) yellow: +12 V black: ground

Use 4-40 3/4" into captured nuts

4 Efficacy