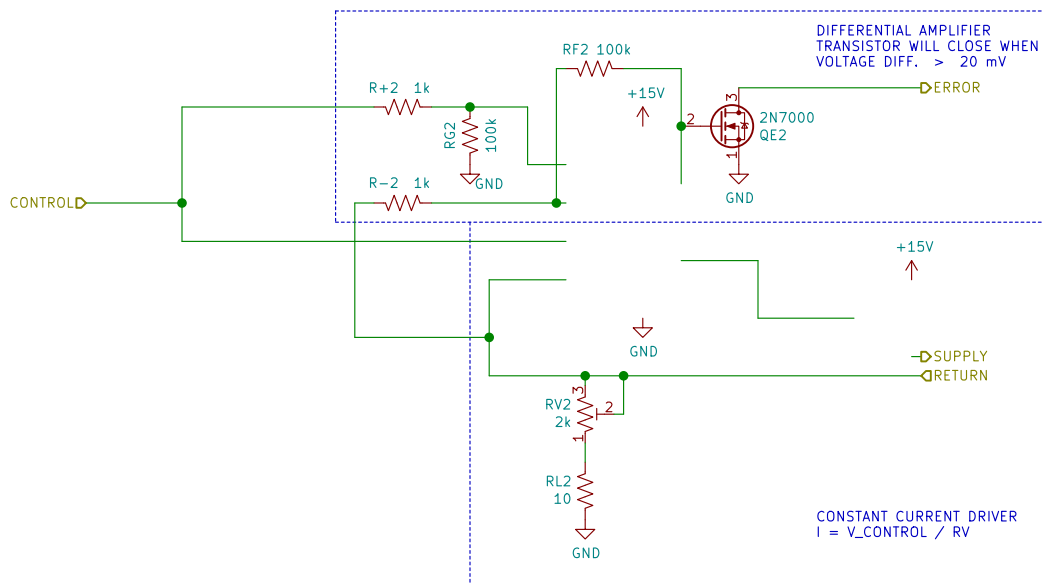


blaise.thompson@wisc.edu
 Blaise Thompson
 Department of Chemistry
 Wickens Group
University of Wisconsin-Madison
 Sheet: /
 File: potentiosynth.sch
Title: potentiosynth

Size: USLetter	Date: 2021-05-07	Rev: A
KiCad E.D.A. kicad 5.1.8+dfsg1-1+b1		Id: 1/9



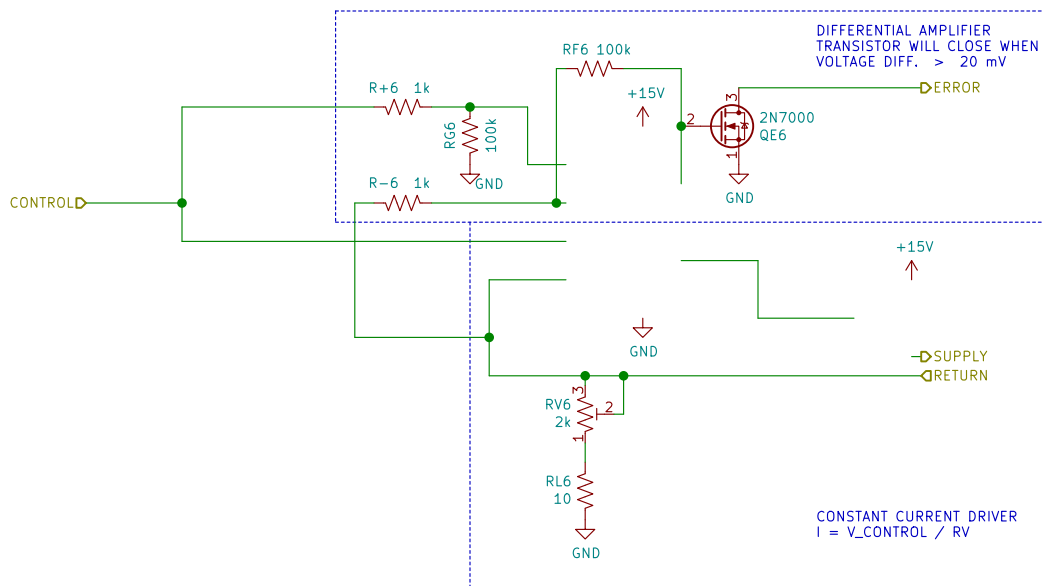
blaise.thompson@wisc.edu
Blaise Thompson
Department of Chemistry
Wickens Group
University of Wisconsin-Madison

Sheet: /2/
File: active-feedback.sch

Title: *potiosynth*

Size: USLetter | Date: 2021-05-07
KiCad E.D.A. kicad 5.1.8+dfsg1-1+b1

Rev: A
Id: 2/9



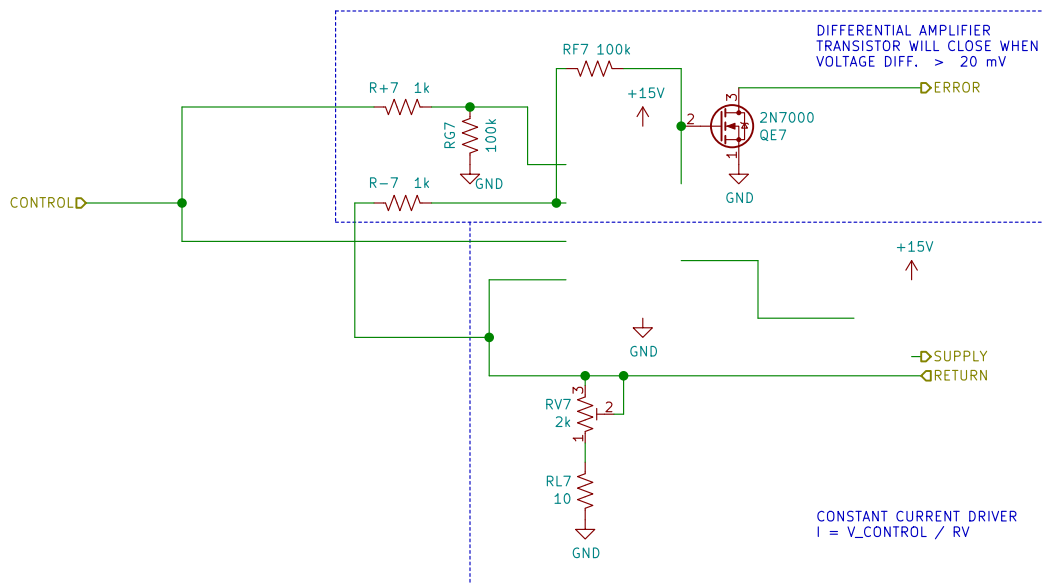
blaise.thompson@wisc.edu
Blaise Thompson
Department of Chemistry
Wickens Group
University of Wisconsin-Madison

Sheet: /6/
File: active-feedback.sch

Title: *potiosynth*

Size: USLetter | Date: 2021-05-07
KiCad E.D.A. kicad 5.1.8+dfsg1-1+b1

Rev: A
Id: 3/9



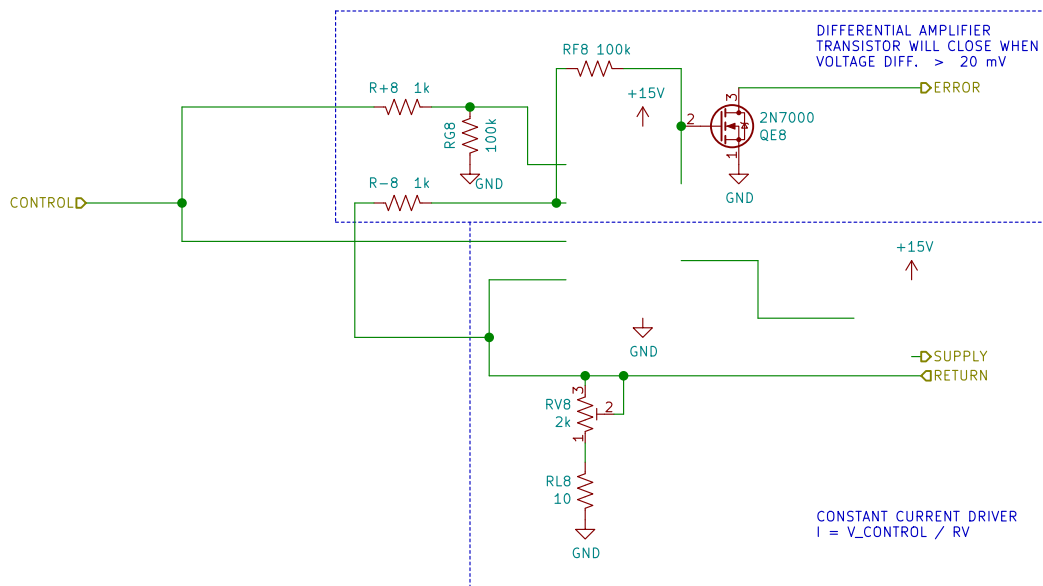
blaise.thompson@wisc.edu
Blaise Thompson
Department of Chemistry
Wickens Group
University of Wisconsin-Madison

Sheet: //
File: active-feedback.sch

Title: potiosynth

Size: USLetter | Date: 2021-05-07
KiCad E.D.A. kicad 5.1.8+dfsg1-1+b1

Rev: A
Id: 4/9



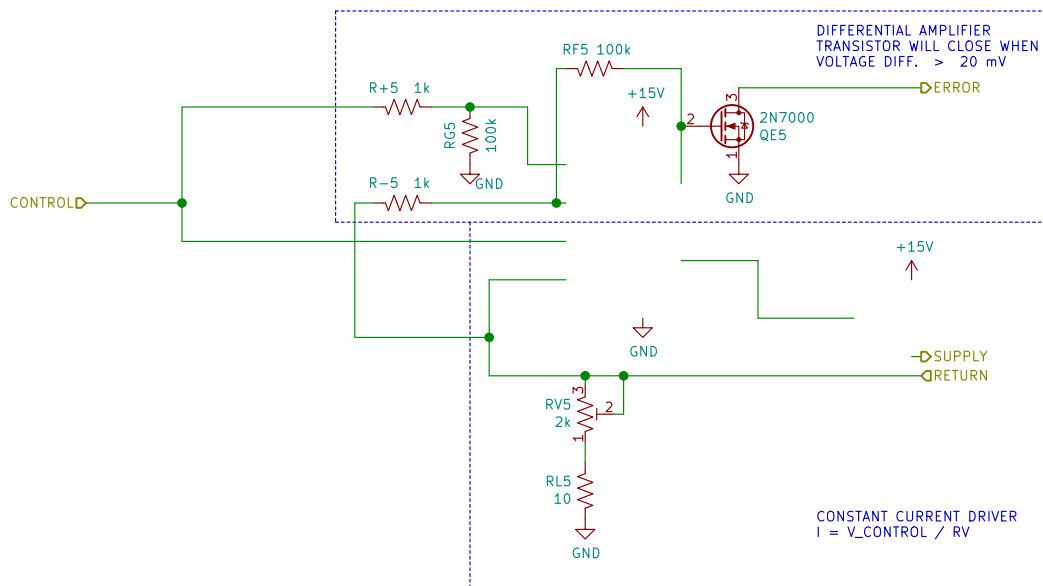
blaise.thompson@wisc.edu
Blaise Thompson
Department of Chemistry
Wickens Group
University of Wisconsin-Madison

Sheet: /8/
File: active-feedback.sch

Title: *potiosynth*

Size: USLetter | Date: 2021-05-07
KiCad E.D.A. kicad 5.1.8+dfsg1-1+b1

Rev: A
Id: 5/9



blaise.thompson@wisc.edu
Blaise Thompson
Department of Chemistry
Wickens Group

University of Wisconsin-Madison

Sheet: /5/

File: active-feedback.sch

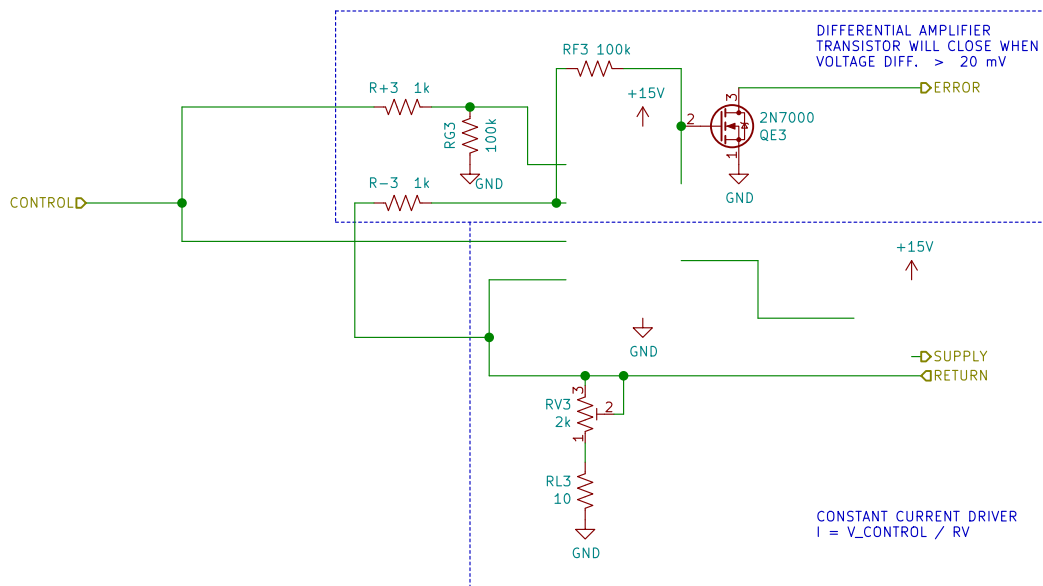
Title: *potiosynth*

Size: USLetter | Date: 2021-05-07

KiCad E.D.A. kicad 5.1.8+dfsg1-1+b1

Rev: A

Id: 6/9



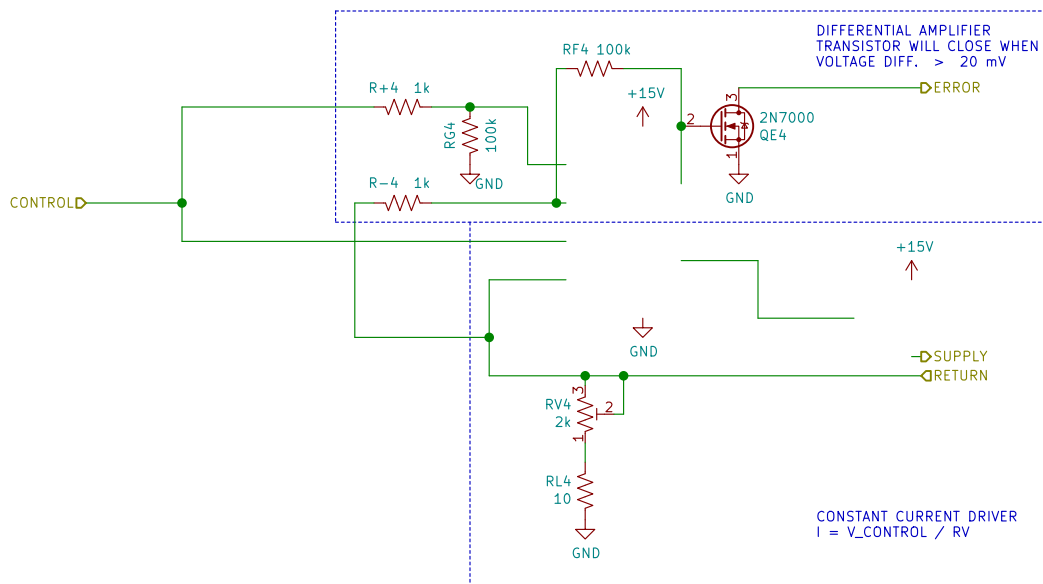
blaise.thompson@wisc.edu
 Blaise Thompson
 Department of Chemistry
 Wickens Group
University of Wisconsin-Madison

Sheet: /3/
 File: active-feedback.sch

Title: *potiosynth*

Size: USLetter | Date: 2021-05-07
 KiCad E.D.A. kicad 5.1.8+dfsg1-1+b1

Rev: A
 Id: 7/9



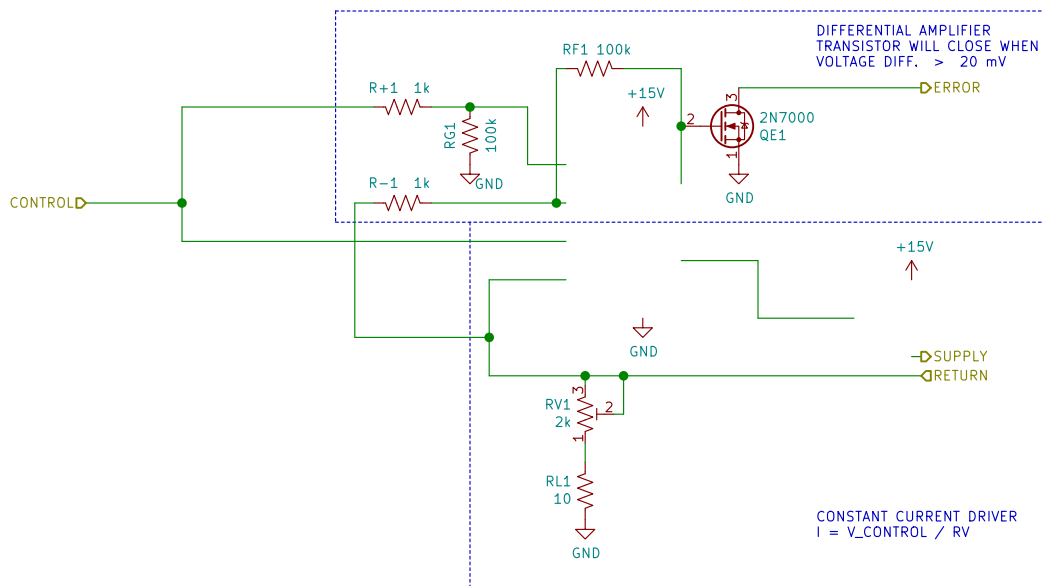
blaise.thompson@wisc.edu
Blaise Thompson
Department of Chemistry
Wickens Group
University of Wisconsin-Madison

Sheet: /4/
File: active-feedback.sch

Title: *potiosynth*

Size: USLetter | Date: 2021-05-07
KiCad E.D.A. kicad 5.1.8+dfsg1-1+b1

Rev: A
Id: 8/9



blaise.thompson@wisc.edu
Blaise Thompson
Department of Chemistry
Wickens Group
University of Wisconsin-Madison

Sheet: /1/
File: active-feedback.sch

Title: *potiosynth*

Size: USLetter | Date: 2021-05-07
KiCad E.D.A. kicad 5.1.8+dfsg1-1+b1

Rev: A
Id: 9/9