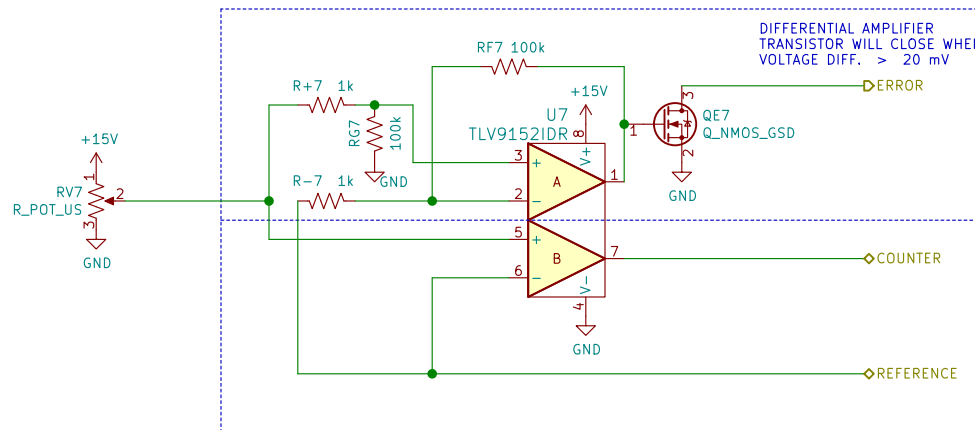


blaise.thompson@wisc.edu  
 Blaise Thompson  
 Department of Chemistry  
 Wickens Group  
**University of Wisconsin–Madison**  
 Sheet: /  
 File: potentiostynth.sch  
**Title: potentiostynth**

Size: USLetter	Date: 2021-05-07	Rev: A
KiCad E.D.A. kicad 5.1.8+dfsg1-1+b1		Id: 1/9



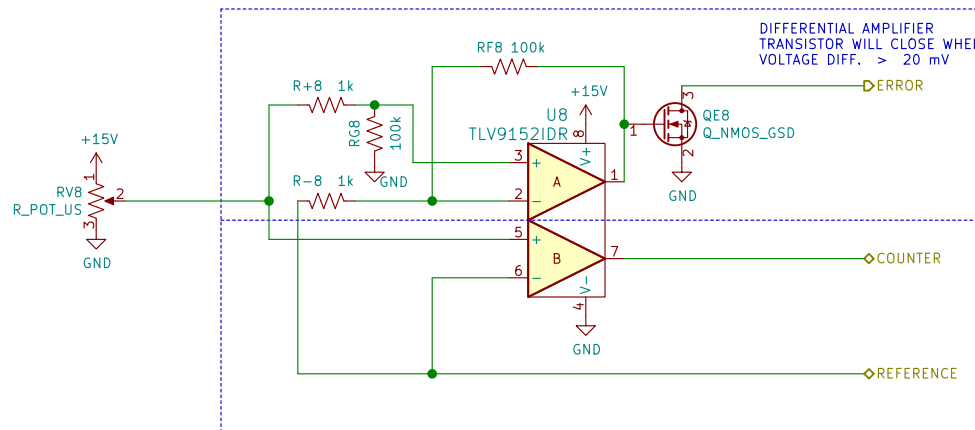
blaise.thompson@wisc.edu  
Blaise Thompson  
Department of Chemistry  
Wickens Group  
**University of Wisconsin-Madison**

Sheet: 77/  
File: active-feedback.sch

**Title: potiosynth**

Size: USLetter | Date: 2021-05-07  
KiCad E.D.A. kicad 5.1.8+dfsg1-1+b1

**Rev: A**  
Id: 2/9



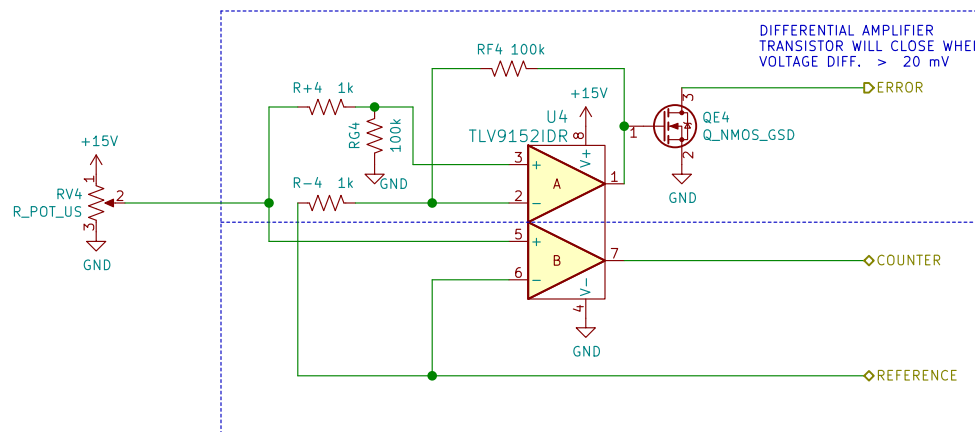
blaise.thompson@wisc.edu  
Blaise Thompson  
Department of Chemistry  
Wickens Group  
**University of Wisconsin-Madison**

Sheet: /8/  
File: active-feedback.sch

**Title: potentiophys**

Size: USLetter | Date: 2021-05-07  
KiCad E.D.A. kicad 5.1.8+dfsg1-1+b1

**Rev: A**  
Id: 3/9



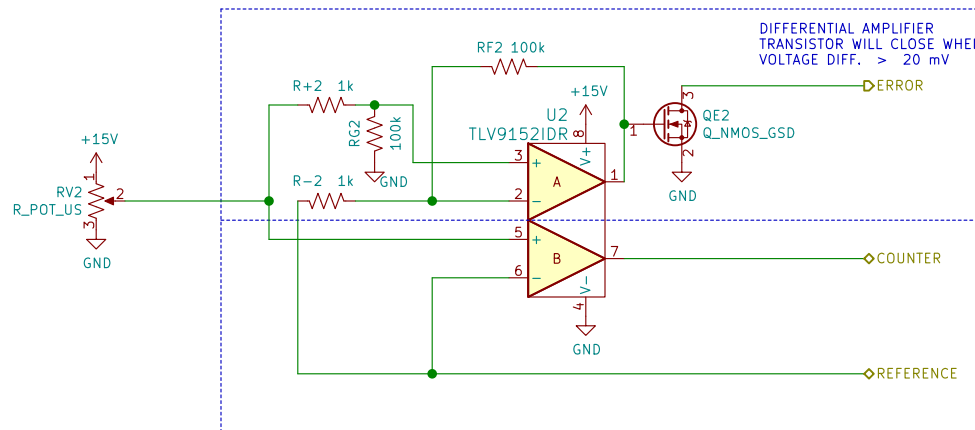
blaise.thompson@wisc.edu  
Blaise Thompson  
Department of Chemistry  
Wickens Group  
**University of Wisconsin-Madison**

Sheet: /4/  
File: active-feedback.sch

**Title: potiosynth**

Size: USLetter | Date: 2021-05-07  
KiCad E.D.A. kicad 5.1.8+dfsg1-1+b1

**Rev: A**  
Id: 4/9



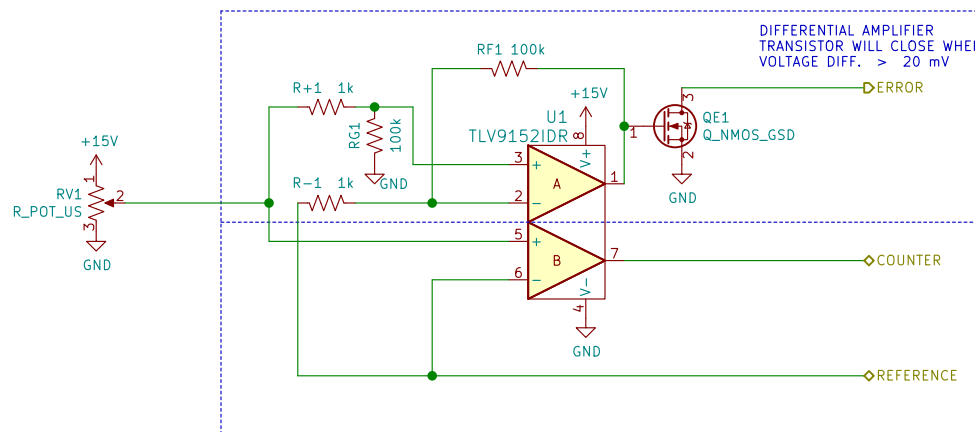
blaise.thompson@wisc.edu  
Blaise Thompson  
Department of Chemistry  
Wickens Group  
**University of Wisconsin-Madison**

Sheet: /2/  
File: active-feedback.sch

**Title: potiosynth**

Size: USLetter | Date: 2021-05-07  
KiCad E.D.A. kicad 5.1.8+dfsg1-1+b1

**Rev: A**  
Id: 5/9



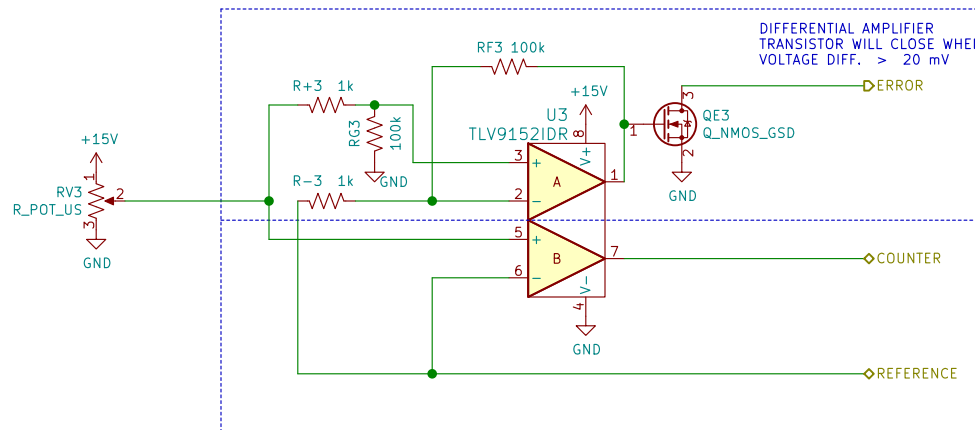
blaise.thompson@wisc.edu  
Blaise Thompson  
Department of Chemistry  
Wickens Group  
**University of Wisconsin-Madison**

Sheet: /1/  
File: active-feedback.sch

**Title: potiosynth**

Size: USLetter | Date: 2021-05-07  
KiCad E.D.A. kicad 5.1.8+dfsg1-1+b1

**Rev: A**  
Id: 6/9



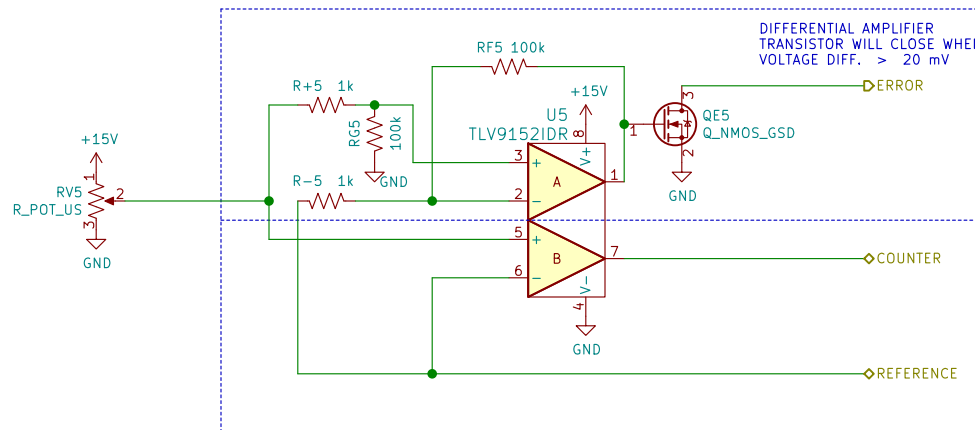
blaise.thompson@wisc.edu  
Blaise Thompson  
Department of Chemistry  
Wickens Group  
**University of Wisconsin-Madison**

Sheet: /3/  
File: active-feedback.sch

**Title: potiosynth**

Size: USLetter | Date: 2021-05-07  
KiCad E.D.A. kicad 5.1.8+dfsg1-1+b1

**Rev: A**  
Id: 7/9



blaise.thompson@wisc.edu  
Blaise Thompson  
Department of Chemistry  
Wickens Group  
**University of Wisconsin-Madison**

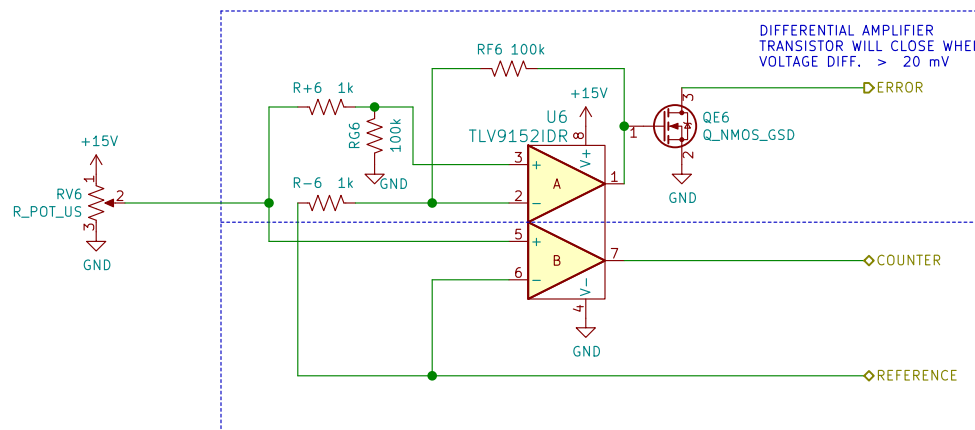
Sheet: /5/  
File: active-feedback.sch

**Title: potiosynth**

Size: USLetter | Date: 2021-05-07  
KiCad E.D.A. kicad 5.1.8+dfsg1-1+b1

**Rev: A**  
Id: 8/9





blaise.thompson@wisc.edu  
Blaise Thompson  
Department of Chemistry  
Wickens Group  
**University of Wisconsin-Madison**

Sheet: /6/  
File: active-feedback.sch

**Title: potiosynth**

Size: USLetter | Date: 2021-05-07  
KiCad E.D.A. kicad 5.1.8+dfsg1-1+b1

**Rev: A**  
Id: 9/9