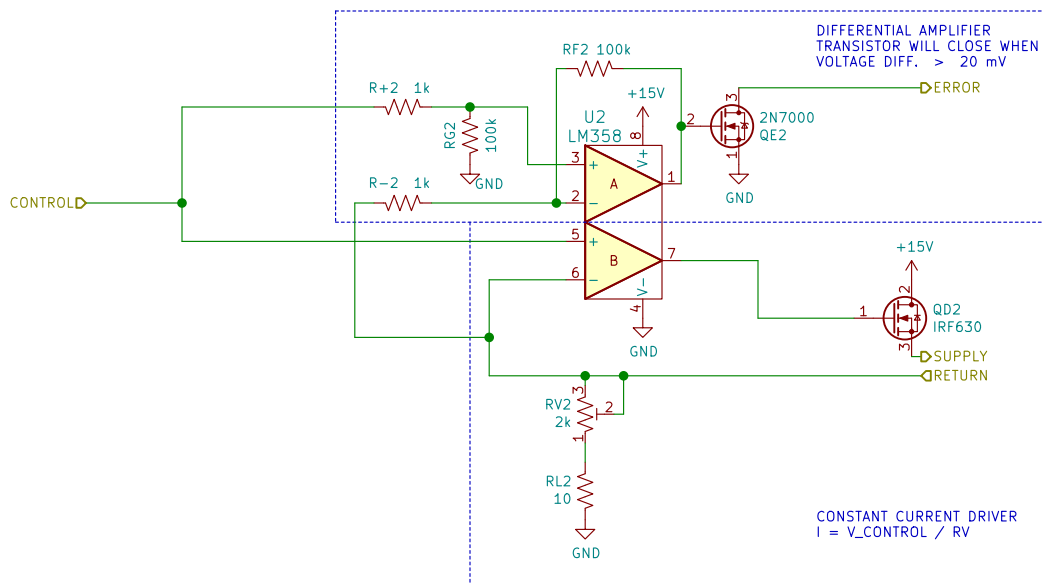


bthompson@chem.wisc.edu
 Blaise Thompson
 Department of Chemistry
 Instrument Shop
University of Wisconsin-Madison

Sheet: /
 File: galvanosynth.sch

Title: galvanosynth

Size: USLetter	Date: 2020-03-03
KiCad E.D.A. kicad 5.1.5+dfsg1-2+b1	Rev: 4.1.1
	Id: 1/9



bthompson@chem.wisc.edu

Blaise Thompson

Department of Chemistry

Instrument Shop

University of Wisconsin-Madison

Sheet: /2/

File: active-feedback.sch

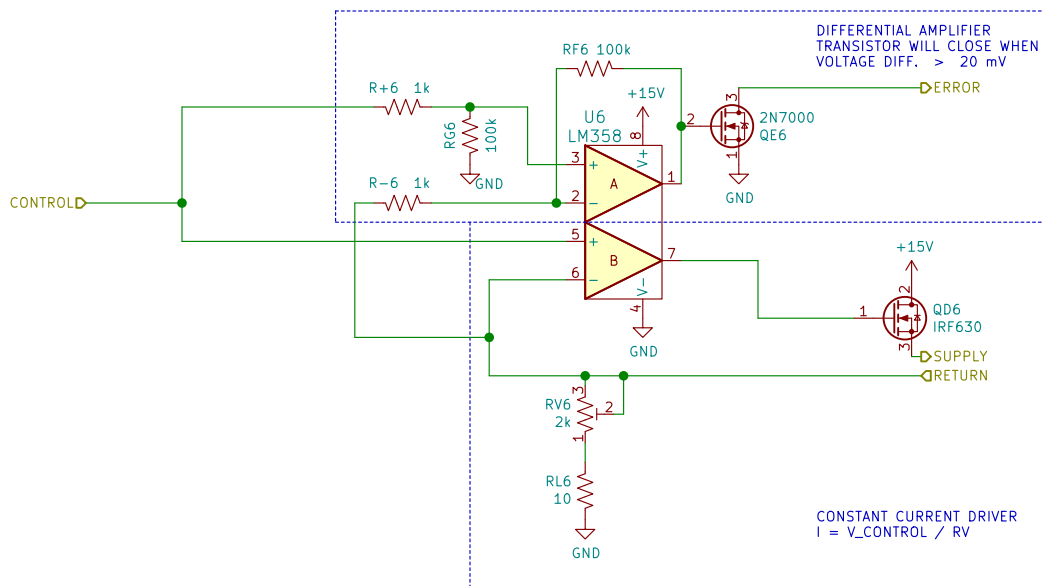
Title: galvanosynth

Size: USLetter | Date: 2020-01-30

KiCad E.D.A. kicad 5.1.5+dfsg1-2+b1

Rev: 4.0.0

Id: 2/9



bthompson@chem.wisc.edu

Blaise Thompson

Department of Chemistry

Instrument Shop

University of Wisconsin-Madison

Sheet: /6/

File: active-feedback.sch

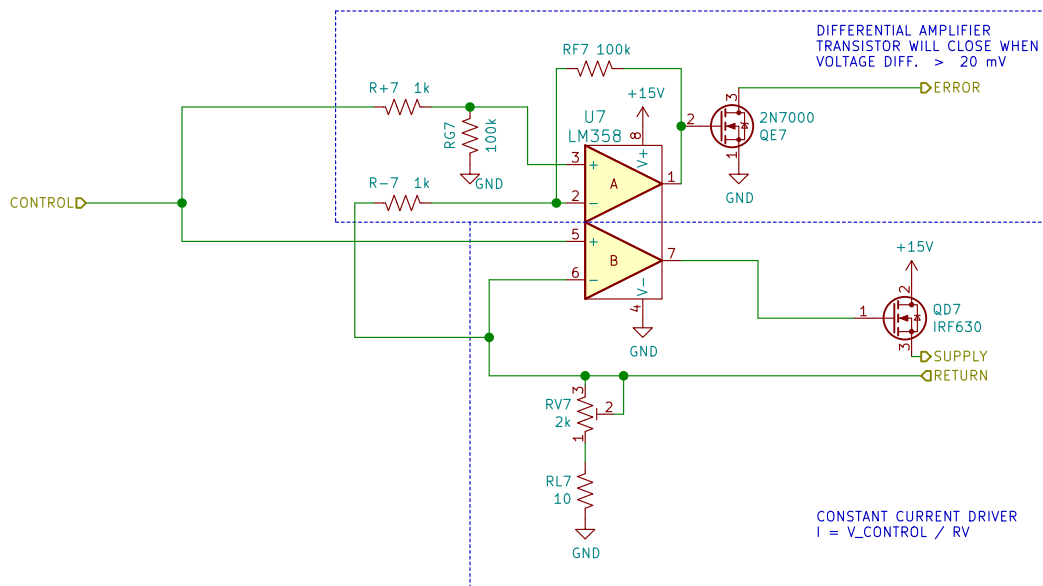
Title: galvanosynth

Size: USLetter Date: 2020-01-30

KiCad E.D.A. kicad 5.1.5+dfsg1-2+b1

Rev: 4.0.0

Id: 3/9



bthompson@chem.wisc.edu

Blaise Thompson

Department of Chemistry

Instrument Shop

University of Wisconsin-Madison

Sheet: 7/7

File: active-feedback.sch

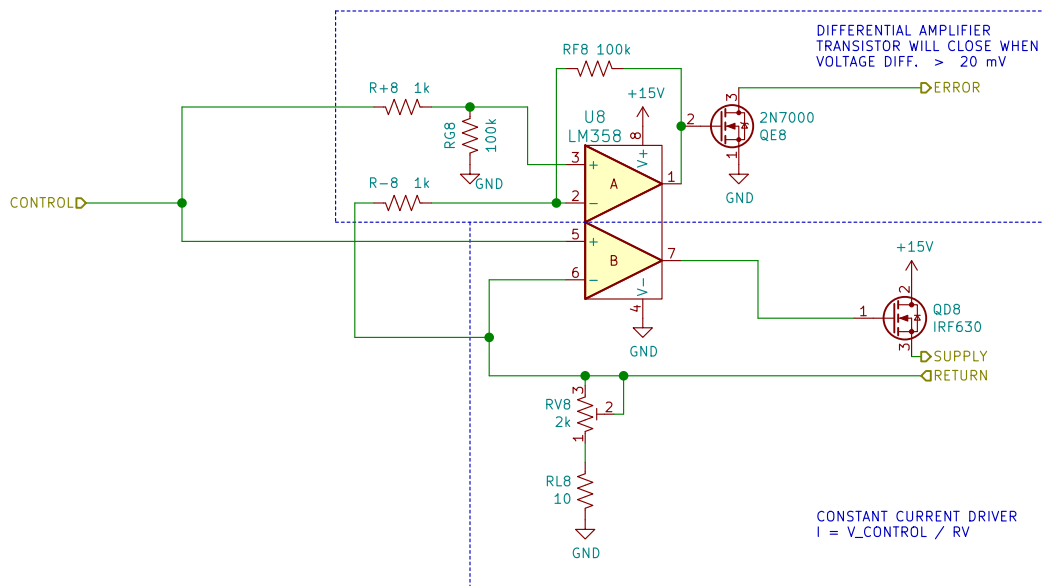
Title: galvanosynth

Size: USLetter Date: 2020-01-30

KiCad E.D.A. kicad 5.1.5+dfsg1-2+b1

Rev: 4.0.0

Id: 4/9



bthompson@chem.wisc.edu

Blaise Thompson

Department of Chemistry

Instrument Shop

University of Wisconsin-Madison

Sheet: /8/

File: active-feedback.sch

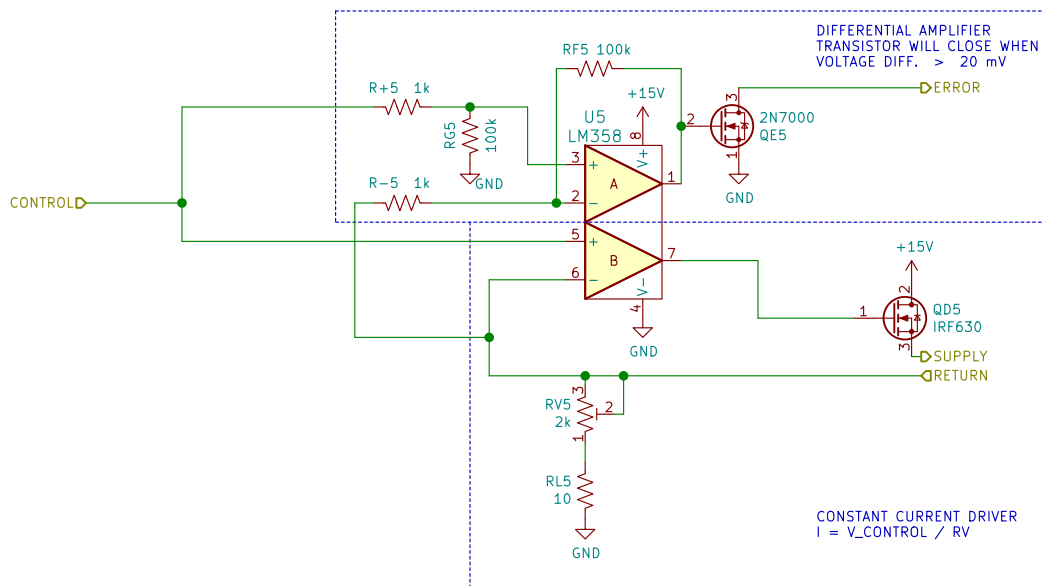
Title: galvanosynth

Size: USLetter Date: 2020-01-30

KiCad E.D.A. kicad 5.1.5+dfsg1-2+b1

Rev: 4.0.0

Id: 5/9



bthompson@chem.wisc.edu

Blaise Thompson

Department of Chemistry

Instrument Shop

University of Wisconsin-Madison

Sheet: /5/

File: active-feedback.sch

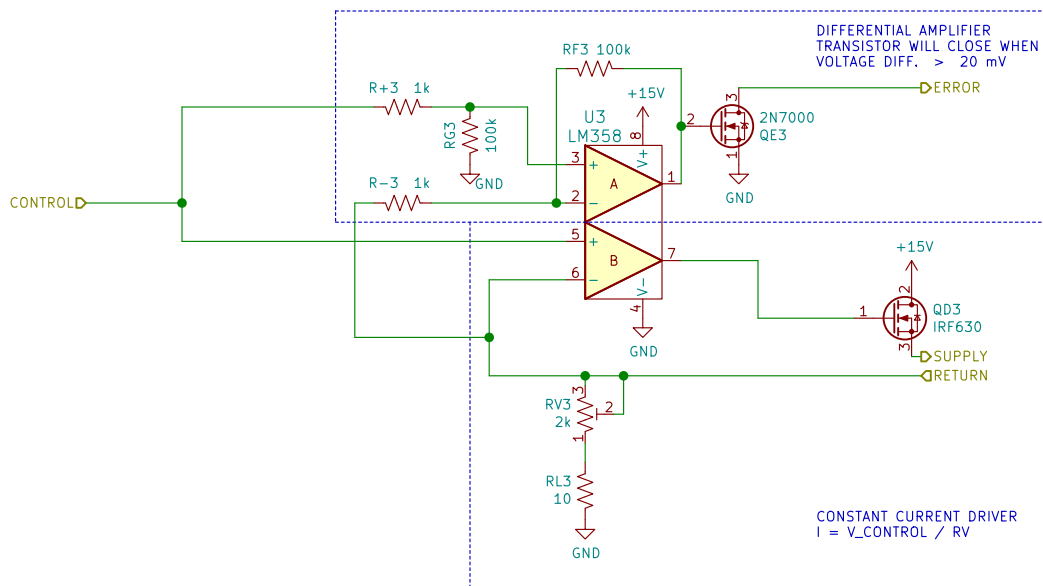
Title: galvanosynth

Size: USLetter | Date: 2020-01-30

KiCad E.D.A. kicad 5.1.5+dfsg1-2+b1

Rev: 4.0.0

Id: 6/9



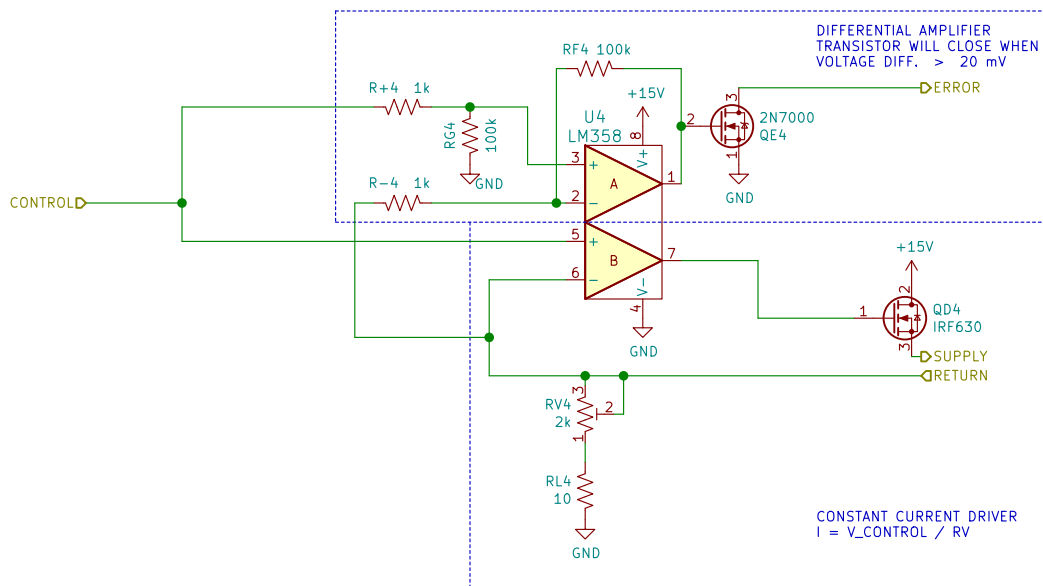
bthompson@chem.wisc.edu
 Blaise Thompson
 Department of Chemistry
 Instrument Shop
University of Wisconsin-Madison

Sheet: /3/
 File: active-feedback.sch

Title: galvanosynth

Size: USLetter | Date: 2020-01-30
 KiCad E.D.A. kicad 5.1.5+dfsg1-2+b1

Rev: 4.0.0
 Id: 7/9



bthompson@chem.wisc.edu

Blaise Thompson

Department of Chemistry

Instrument Shop

University of Wisconsin-Madison

Sheet: /4/

File: active-feedback.sch

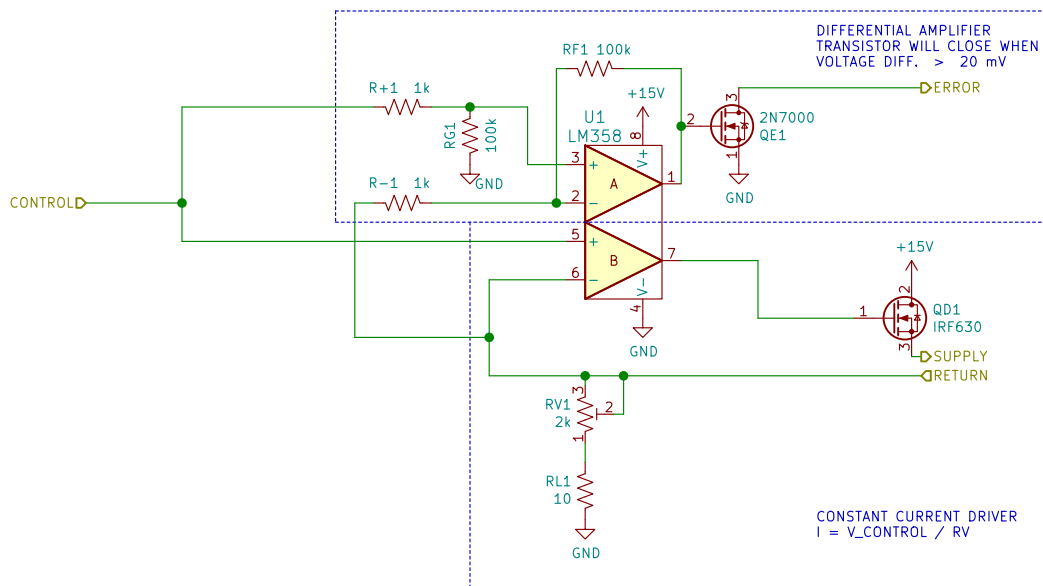
Title: galvanosynth

Size: USLetter Date: 2020-01-30

KiCad E.D.A. kicad 5.1.5+dfsg1-2+b1

Rev: 4.0.0

Id: 8/9



bthompson@chem.wisc.edu

Blaise Thompson

Department of Chemistry

Instrument Shop

University of Wisconsin-Madison

Sheet: /1/

File: active-feedback.sch

Title: galvanosynth

Size: USLetter Date: 2020-01-30

KiCad E.D.A. kicad 5.1.5+dfsg1-2+b1

Rev: 4.0.0

Id: 9/9