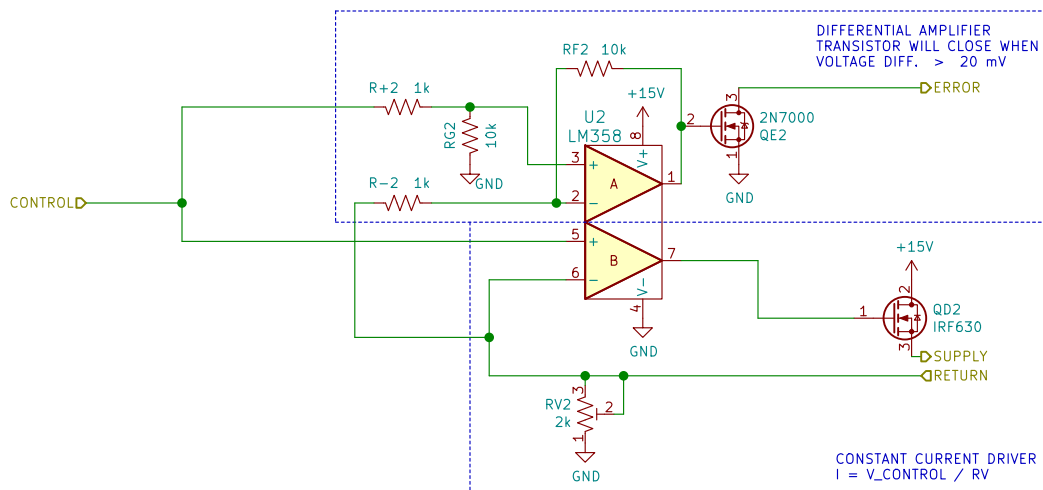


bthompson@chem.wisc.edu
 Blaise Thompson
 Department of Chemistry
 Instrument Shop
University of Wisconsin-Madison

Sheet: /
 File: galvanosynth.sch

Title: galvanosynth

Size: USLetter	Date: 2019-12-13	Rev: 4.0.0
KiCad E.D.A. kicad 5.1.5+dfsg1-2		Id: 1/9



bthompson@chem.wisc.edu

Blaise Thompson

Department of Chemistry

Instrument Shop

University of Wisconsin-Madison

Sheet: /2/

File: active-feedback.sch

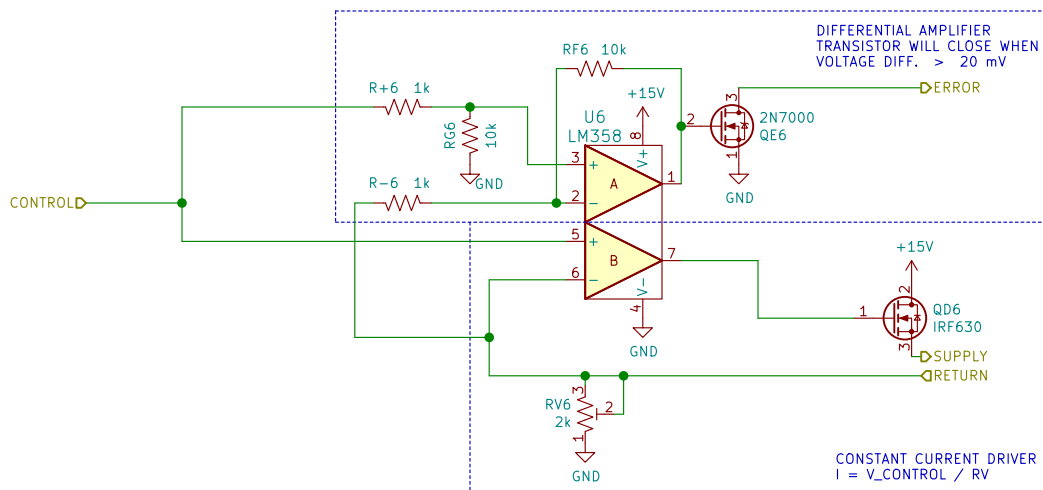
Title: galvanosynth

Size: USLetter Date: 2019-12-09

KiCad E.D.A. kicad 5.1.5+dfsg1-2

Rev: 4.0.0

Id: 2/9



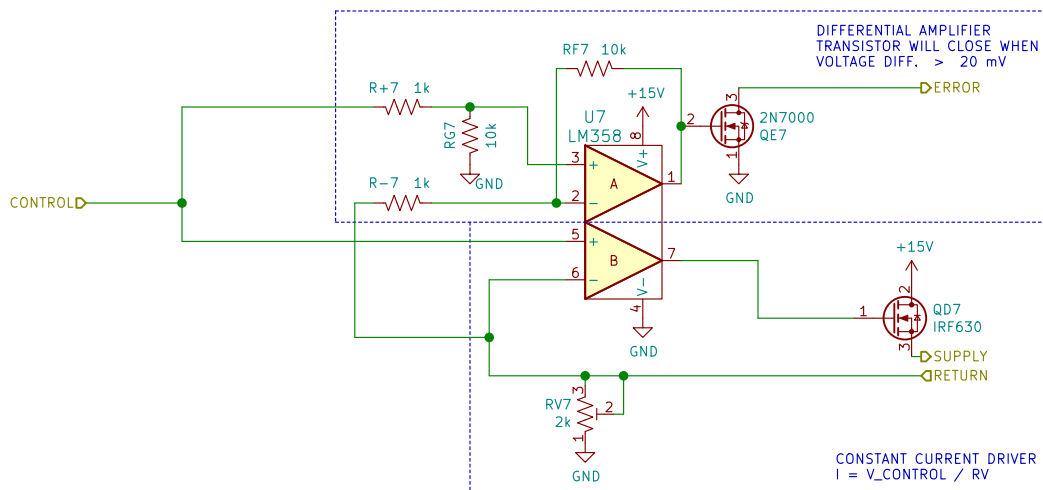
bthompson@chem.wisc.edu
Blaise Thompson
Department of Chemistry
Instrument Shop
University of Wisconsin-Madison

Sheet: /6/
File: active-feedback.sch

Title: galvanosynth

Size: USLetter | Date: 2019-12-09
KiCad E.D.A. kicad 5.1.5+dfsg1-2

Rev: 4.0.0
Id: 3/9



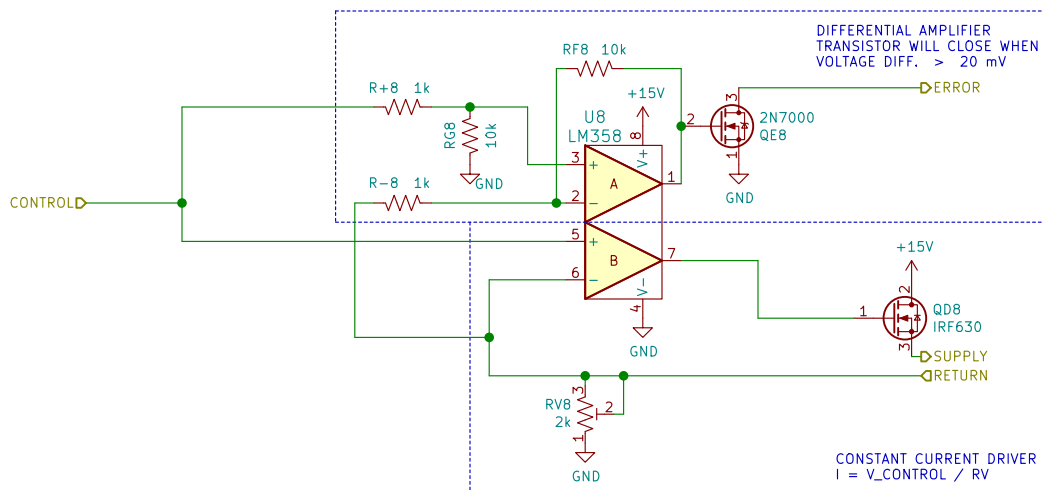
bthompson@chem.wisc.edu
Blaise Thompson
Department of Chemistry
Instrument Shop
University of Wisconsin-Madison

Sheet: //
File: active-feedback.sch

Title: galvanosynth

Size: USLetter | Date: 2019-12-09
KiCad E.D.A. kicad 5.1.5+dfsg1-2

Rev: 4.0.0
Id: 4/9



bthompson@chem.wisc.edu

Blaise Thompson

Department of Chemistry

Instrument Shop

University of Wisconsin-Madison

Sheet: /8/

File: active-feedback.sch

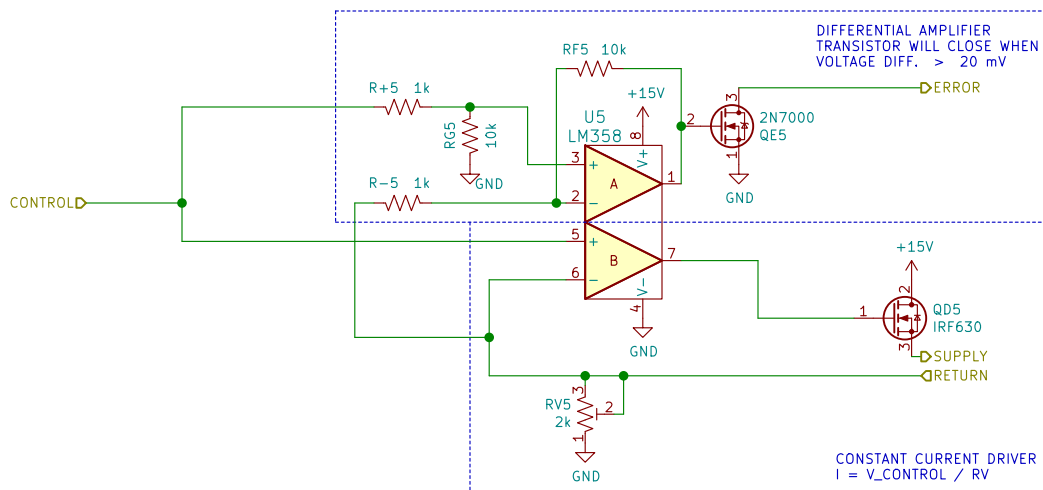
Title: galvanosynth

Size: USLetter | Date: 2019-12-09

KiCad E.D.A. kicad 5.1.5+dfsg1-2

Rev: 4.0.0

Id: 5/9



bthompson@chem.wisc.edu

Blaise Thompson

Department of Chemistry

Instrument Shop

University of Wisconsin-Madison

Sheet: /5/

File: active-feedback.sch

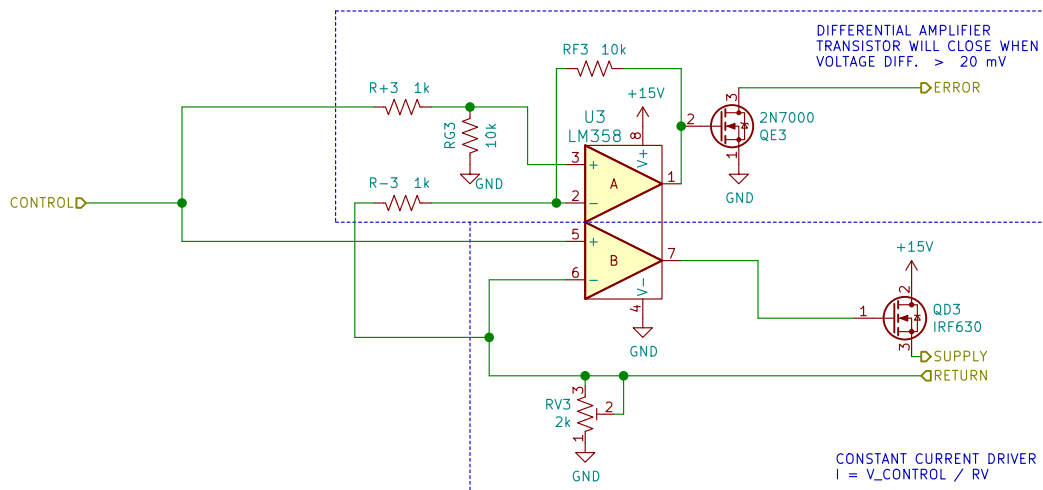
Title: galvanosynth

Size: USLetter | Date: 2019-12-09

KiCad E.D.A. kicad 5.1.5+dfsg1-2

Rev: 4.0.0

Id: 6/9



bthompson@chem.wisc.edu

Blaise Thompson

Department of Chemistry

Instrument Shop

University of Wisconsin-Madison

Sheet: /3/

File: active-feedback.sch

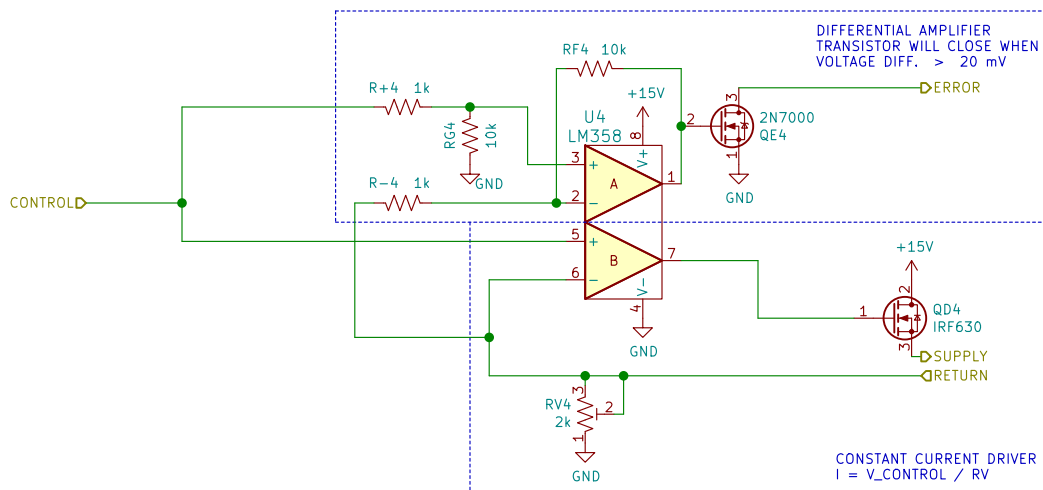
Title: galvanosynth

Size: USLetter | Date: 2019-12-09

KiCad E.D.A. kicad 5.1.5+dfsg1-2

Rev: 4.0.0

Id: 7/9



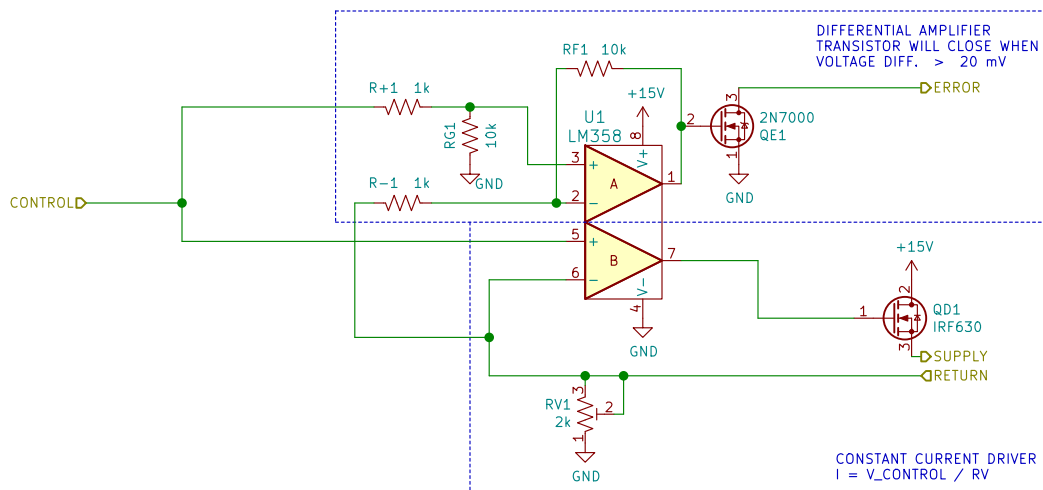
bthompson@chem.wisc.edu
 Blaise Thompson
 Department of Chemistry
 Instrument Shop
University of Wisconsin-Madison

Sheet: /4/
 File: active-feedback.sch

Title: galvanosynth

Size: USLetter | Date: 2019-12-09
 KiCad E.D.A. kicad 5.1.5+dfsg1-2

Rev: 4.0.0
 Id: 8/9



bthompson@chem.wisc.edu
 Blaise Thompson
 Department of Chemistry
 Instrument Shop
University of Wisconsin-Madison

Sheet: /1/
 File: active-feedback.sch

Title: galvanosynth

Size: USLetter	Date: 2019-12-09	Rev: 4.0.0
KiCad E.D.A. kicad 5.1.5+dfsg1-2		Id: 9/9